

John Cooper Works Tuning. Installation Instructions.



Retrofit - John Cooper Works Sports Brakes

MINI Clubman (R55)

MINI Clubman S (R55)

MINI One (R56)

MINI Cooper (R56)

MINI Cooper S (R56)

This retrofit kit cannot be installed on the R55 MINI John Cooper Works Clubman and R56 MINI John Cooper Works.

Retrofit kit only suitable for approved wheels (see section 4)

Retrofit kit No.: 34 11 0 432 802 Retrofit kit - Sports brakes

Installation time

The installation time of **approx. 3.5 hours** may vary depending on the vehicle's condition and equipment.

The vehicle must be updated to the latest I-level status by flashing before installing the retrofit. Different programming times are necessary depending on the production age of the vehicle and the work already performed on the vehicle so that no time requirements can be specified here. The installation time does not include the time required for programming/encoding which depends on the vehicle's age and equipment.

Important information

The Customer information K (Part No. 01 29 0 445 046) is to be handed over to the customer.

These installation instructions are primarily designed for use within the MINI dealership organisation and by authorised MINI service companies.

In any event, the target group for these installation instructions is specialist personnel trained on MINI vehicles with the appropriate specialist knowledge.

All work must be completed using the latest MINI repair manuals, circuit diagrams, servicing manuals and work instructions, in a rational order, using the prescribed tools (special tools) and observing current health and safety regulations.

In the event of installation or functional problems, limit troubleshooting to 0.5 hours for mechanical jobs and 1.0 hours for electrical jobs.

To avoid unnecessary work and costs, send a corresponding enquiry via the Aftersales Assistance Portal (ASAP) using the technical parts support application.



Please quote the following:

- Vehicle identification number
- Part number of retrofit kit
- Exact description of the problem
- Work already carried out

Do not archive the hard copy of these installation instructions since daily updates are made by ASAP!

All pictures show LHD cars; proceed accordingly on RHD cars.

Pictograms

-  Denotes instructions that draw your attention to dangers.
-  Denotes instructions that draw your attention to special features.
- ◀ Denotes the end of the instruction or other text.



Special tools required

34 6 300 Brake piston tool

Important documentation and information for the customer

The workshop certificate (see Section 6) is to be completed and handed over to the customer together with the customer information **K** and the TÜV component certificate (see Annex).

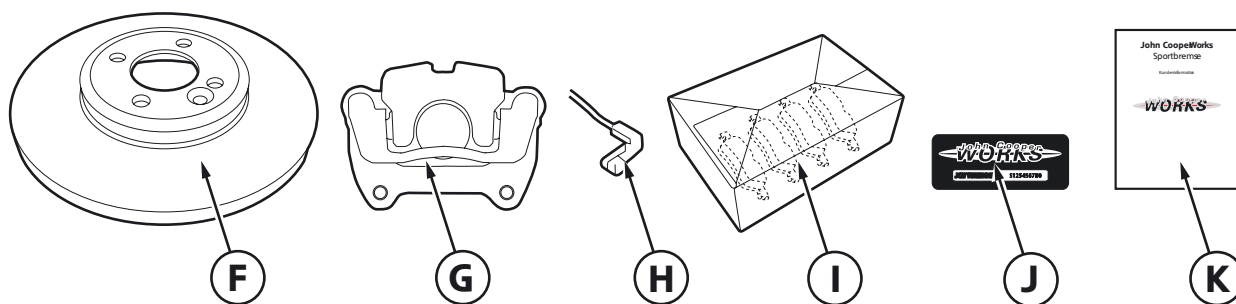
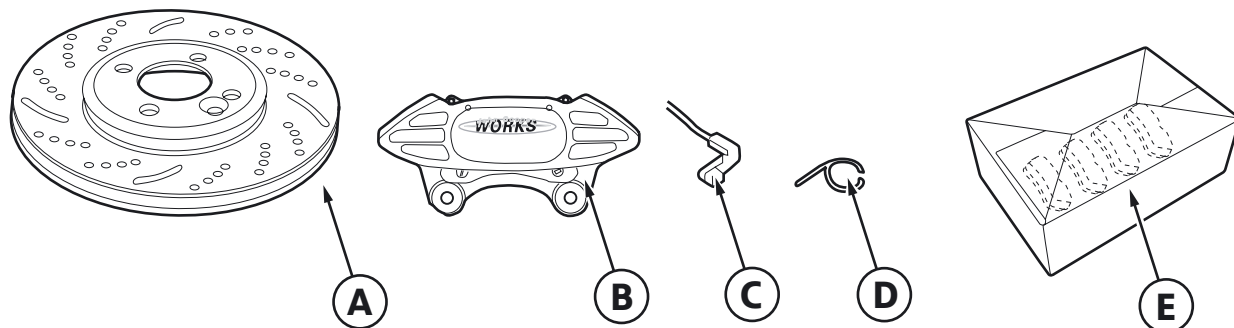
It must be pointed out to the customer that the brake system will require acceptance and the vehicle documents will need to be amended as the brake system will be changed in the approval and homologation data. Correct installation must be certified by an officially recognised expert.

-  Carefully run in the sports brakes over the first 200 km. The brakes then exhibit their sports properties to the full extent. ▶
-  In view of the special design features of the brake discs with holes and grooves, noise may occur while braking, however, this has no influence whatsoever on the stability of the brake discs. ▶

Contents

Section	Page
1. Parts overview	4
2. Preparatory work	5
3. Installation	6
4. Approved wheels	7
5. Concluding work and coding	8

1. Parts overview



056 0440 V

Legend

A Front disc brake, holed (2x)

B Front brake caliper (2x)

C Front brake pad sensor

D Clip for front brake pad sensor

E Front brake pad (4x)

F Rear brake disc (2x)

G Rear brake caliper (2x)

H Rear brake pad sensor

I Rear brake pad (4x)

J Label

K Customer information

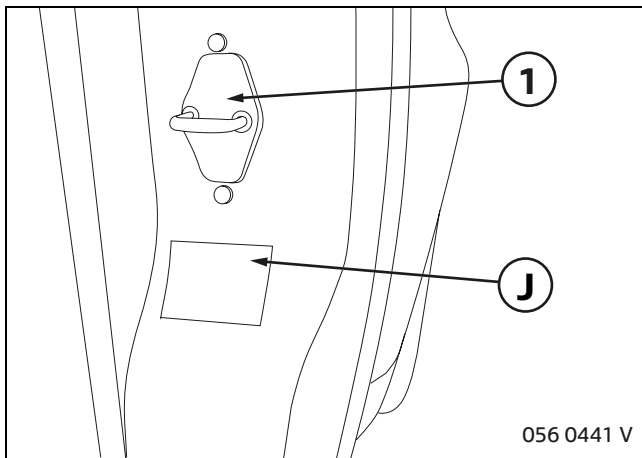
2. Preparatory work


	ISTA No. (REP)
Perform quick test	—
Disconnect negative terminal of battery	12 00 ...
Remove the following components	
Remove front and rear wheel	36 10 300
Remove front brake pad sensor	34 35 001
Brake pads, front	34 11 000
Brake caliper, front	34 11 519
Brake disc, front	34 11 220
Remove underbody panelling at rear if necessary	51 71 ...
Remove rear brake pad sensor	34 35 001
Brake pads, rear	34 21 200
Brake caliper, rear	34 22 745
Rear brake disc	34 21 320

3. Installation

Install following parts according to ISTA No. (REP):


- Install front brake discs **A** as per ISTA No. (REP) 34 11 220
- Install front brake caliper **B** as per ISTA No. (REP) 34 11 519
- Install front brake pads **E** as per ISTA No. (REP) 34 11 000
- Install front brake pad sensor **C** and clip **D** as per ISTA No. (REP) 34 35 001
- Install rear brake discs **F** as per ISTA No. (REP) 34 21 320
- Install rear brake caliper **G** as per ISTA No. (REP) 34 11 519
- Install rear brake pads **I** as per ISTA No. (REP) 34 21 200
- Install rear brake pad sensor **H** as per ISTA No. (REP) 34 35 001



 The adhesion area for the sticker must be free of dust and grease. ◀

Affix label **J** on the driver's side B-pillar under the door lock (1).

4. Approved wheels

 After installing the John Cooper Works Sports brakes, only the following genuine MINI light alloy wheels larger than or equal to 17" may be used. This requirement also applies to winter tyres. ◀

Size	Styling	Part number	Rim	Tyre
17"	R108	36 11 6 777 356	7Jx17ET48	205/45 R17
17"	R97	36 11 6 775 685 36 11 6 775 801 (white)		
17"	R104	36 11 6 769 411 36 11 6 769 412 (white)		
17"	R112	36 11 6 784 130		
17"	R114 (winter wheel)	36 11 6 785 220	5.5Jx17ET42	185/50 R17
18"	R113	36 11 6 785 304 (matt black) 36 11 6 784 136 (turned/polished)	7Jx18ET52	205/40 R18



5. Concluding work and coding

The retrofit system requires encoding.

- Reconnect vehicle battery
- Encode retrofit with Software Service Station (SSS) via the path – **Retrofit / Sports Brake** –
- Perform quick test
- Reassemble vehicle in reverse order of removal
- Perform function test

The workshop certificate (see Section 6) is to be completed and handed over to the customer together with the customer information **K** and the TÜV component certificate (see Annex).

It must be pointed out to the customer that the brake system will require acceptance and the vehicle documents will need to be amended as the brake system will be changed in the approval and homologation data. Correct installation must be certified by an officially recognised expert.

-  Carefully run in the sports brakes over the first 200 km. The brakes then exhibit their sports properties to the full extent. ◀
-  In view of the special design features of the brake discs with holes and grooves, noise may occur while braking, however, this has no influence whatsoever on the stability of the brake discs. ◀